



2007 International Application Guide • Volume 6 • Issue 1



VL996 VISTA SERIES™

VL996 Vista Series™ Models

VL996IB3042

Useable Platform:
30" x 42"
(76 cm x 107 cm)

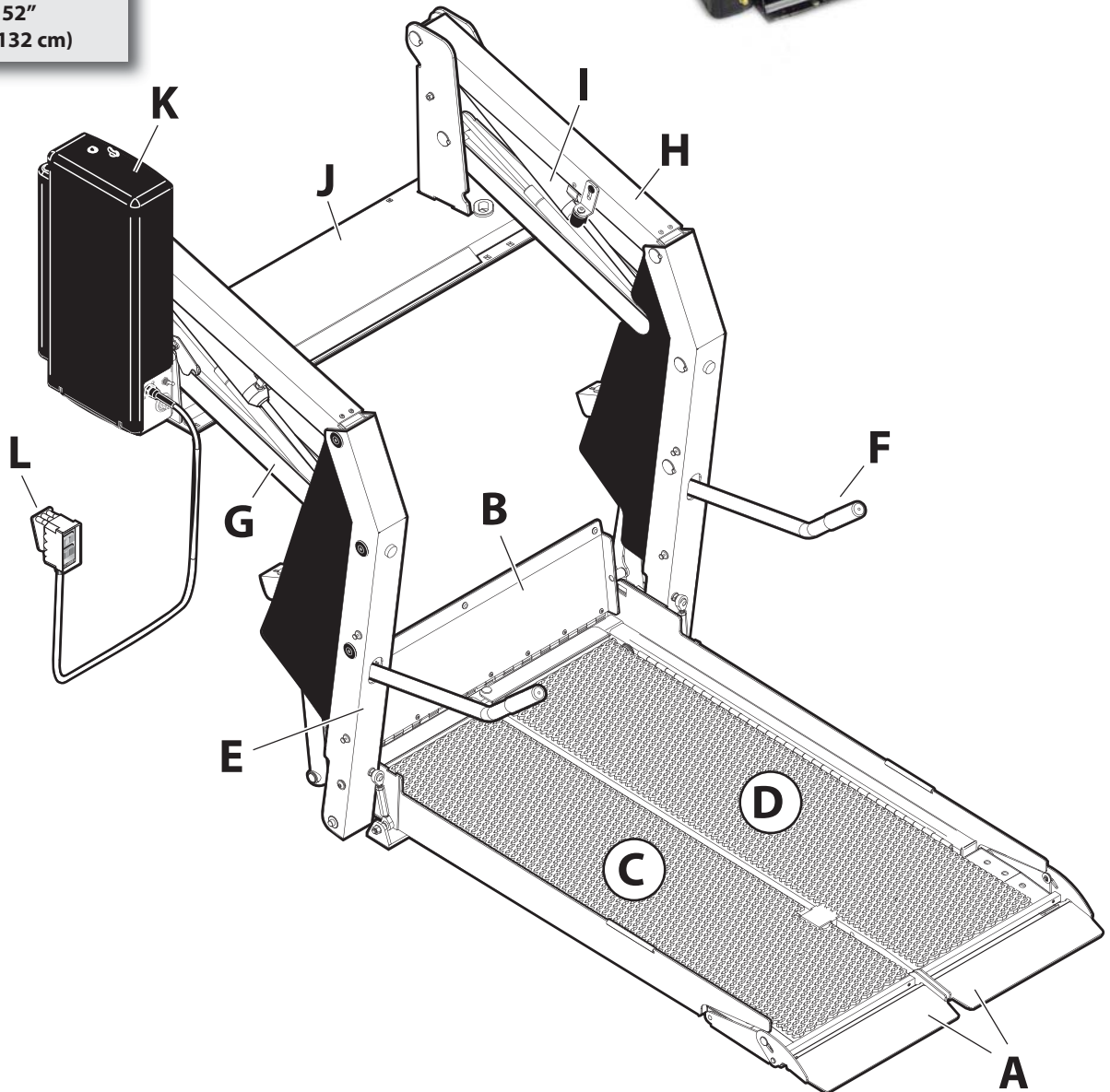
VL996IB3048

Useable Platform:
30" x 48"
(76 cm x 122 cm)

VL996IB3452

Useable Platform:
34" x 52"
(86 cm x 132 cm)

Unique split platform automatically opens during the fold cycle, dramatically increasing the visibility and allows interior access thru the lift opening. ▶



A - Automatic Outer Barrier	G - Bottom Parallel Arms (2)
B - Inboard Barrier (IB)	H - Top Parallel Arms (2)
C - Platform - Pump Side	I - Cylinder (2)
D - Platform - Opposite Pump Side	J - Base Plate
E - Vertical Arms (2)	K - Pump Module
F - Handrails (2)	L - Hand-Held Control Box

Technical Specifications

General Function: Electrohydraulic, power up/gravity down operation

Operation: Hydraulic pump with two lifting cylinders

Control: hand-held control box

Hydraulic: Pressure Max. 2,495 psi (172 bar), Fluid is Unavis HVI 26, reservoir is .33 gal (1.25 L)

Construction: Steel structure with powder coat finish

Lift Weight: 295 lbs (134 kg)

Lifting Capacity: 660 lbs (300 kg)

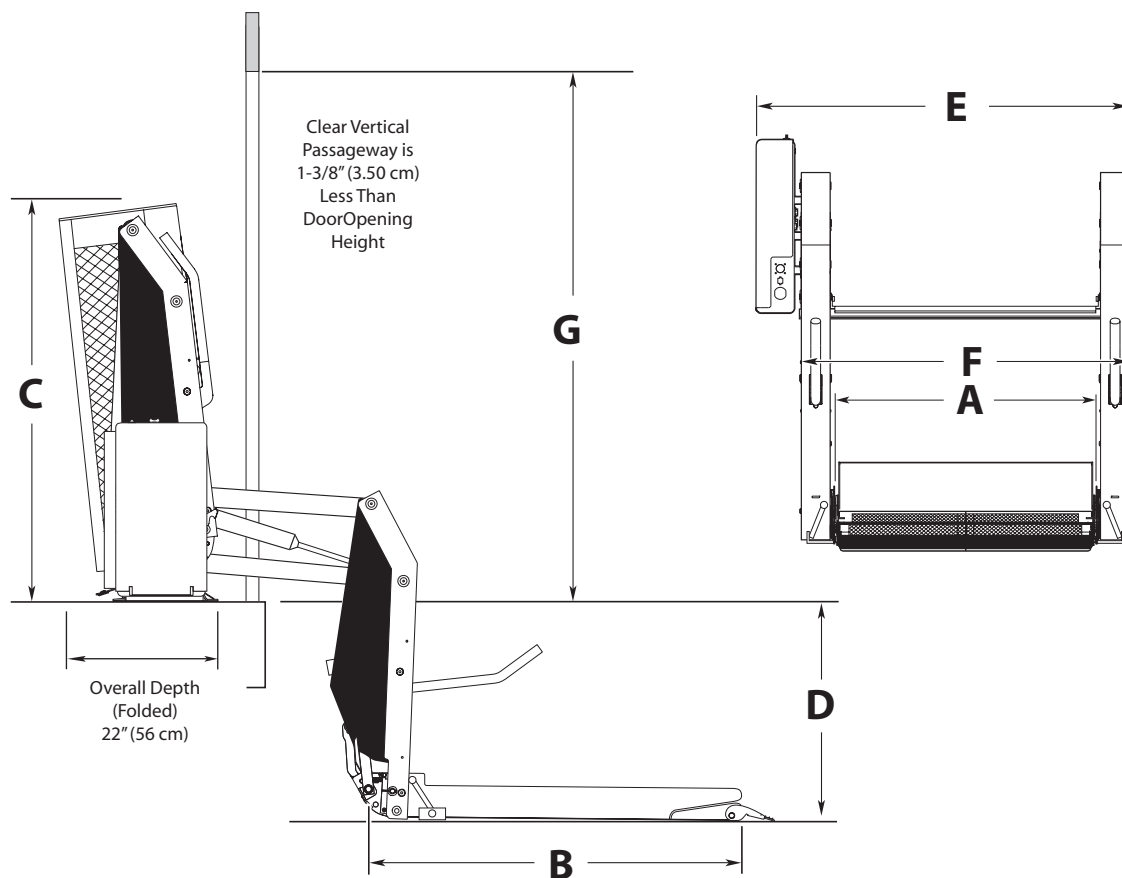
Operating Temperature: 19°F to 149°F (-7°C to 65°C)

Power Supply: 12V DC

Current Consumption: Max. 25A (12V)



Lift Dimensions



All dimensions are for reference only.

VL996 Vista Series™			A	B	C	D	E	F	G
Lift Model Number	Operation		Clear Platform Width	Clear Platform Length	Overall Lift Height	Max. Floor to Ground	Overall Lift Width	Min. Clear Door Opening Width	Min. Clear Door Opening Height
	User	Attdt.							
VL996IB3042		X	30" (76cm)	42" (107cm)	45.25" (115cm)	31" (79cm)	44" (112cm)	39.38" (100cm)	46" (117cm)
VL996IB3048		X	30" (76cm)	48" (122cm)	51.25" (130cm)	31" (79cm)	44" (112cm)	39.38" (100cm)	52" (132cm)
VL996IB3452		X	34" (86cm)	52" (132cm)	55.25" (140cm)	31" (79cm)	48" (122cm)	43.38" (110cm)	56" (142cm)

VL996 VISTA SERIES™

VL996 *Vista Series*[™] Lift Features



- fully automatic lift, operated by an attendant
- unique split platform automatically opens during the fold cycle, dramatically increasing the visibility and allows interior access through the lift opening
- parallel arm lift with hydraulic cylinders
- hand-held control box for easy operation of the lift
- side or rear door application
- dual handrails for security and convenience
- mechanically operated outer barrier that will be in the fully up position as the platform leaves the ground
- automatic mechanical inboard barrier
- bridging feature permits the wheelchair user to board the lift from sidewalks or inclines
- integrated back-up pump
- equipped with an adjustable anti-rattle feature to avoid unpleasant noise in the vehicle during transit
- durable high-gloss powder coated finish
- Lift-Tite system stows the lift platform securely while the vehicle is in transit
- pump module with removable cover offers easy access to all components
- lift power on/off switch



www.braunability.com/international

ISO 9001:2000

631 West 11th Street, Winamac, IN 46996, USA Phone: +1 574 946 6153 Fax: +1 574 946 4670